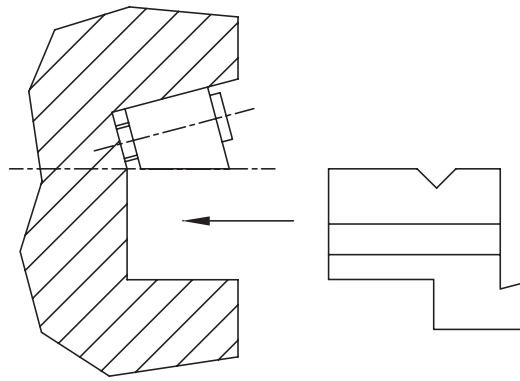


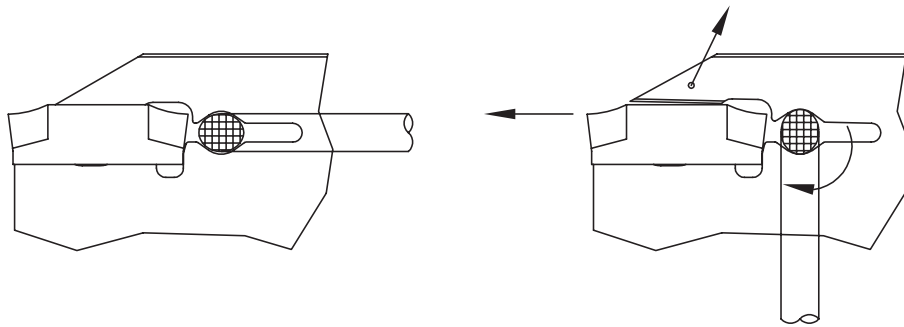
# GROOVING

150°

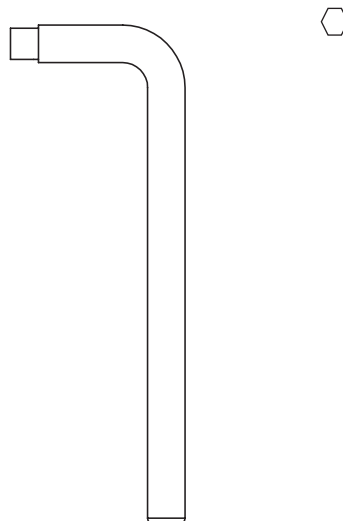




Base holder assembly instruction

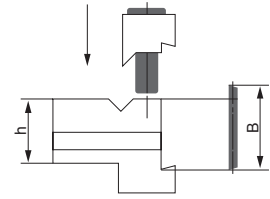
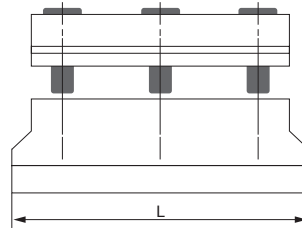


Instruction for changing the insert



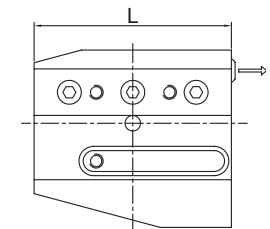
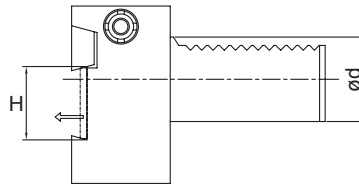
Assembly-key

## BASE DI SUPPORTO \_ GRUNDHALTER \_ BASE HOLDER



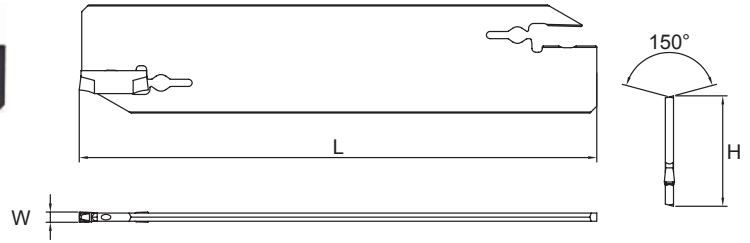
GETB	h	L (mm)	B	KG	STOCK	€
GETB 1910	10	76	19	0,200	○	292,50
GETB 1912	12	76	19	0,250	○	292,50
GETB 1916	16	76	19	0,300	○	292,50
GETB 2620	20	87	26	0,600	○	301,50
GETB 2625	25	87	26	0,700	○	322,50
GETB 3220	20	100	32	0,800	○	305,50
GETB 3225	25	110	32	1,000	○	329,-
GETB 3232	32	120	32	1,300	○	334,-

## BASE VDI CON LUBRIFICAZIONE \_ VDI GRUNDHALTER MIT IK \_ VDI TOOL HOLDER WITH IC



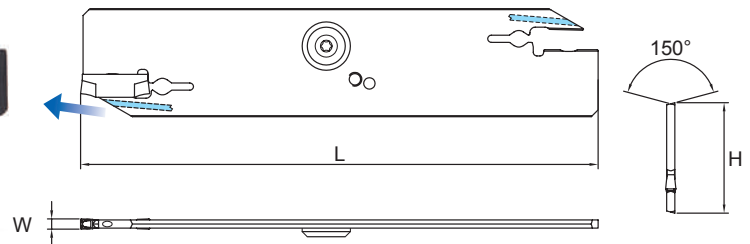
GEGB	Ø d	L (mm)	H	KG	STOCK	€
GEGB VDI30/26 COOL	30	70	26	1,300	●	1126,50
GEGB VDI30/32 COOL	30	70	32	1,300	●	1126,50
GEGB VDI40/32 COOL	40	85	32	2,150	●	1126,50

## LAMA \_ STECHSCHWERTER \_ BLADE



## GECB

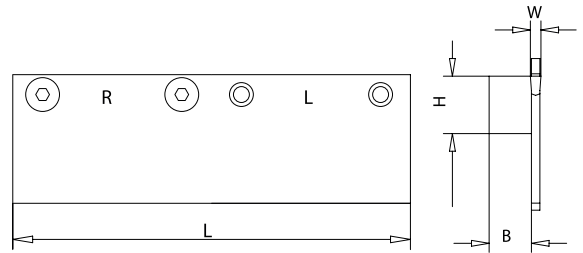
	↔ (mm)						
	W	H	L		KG	STOCK	€
<b>GECB 1920 S</b>	2,0	19	86		0,040	●	<b>135,50</b>
<b>GECB 2620 S</b>	2,0	26	110		0,050	●	<b>145,50</b>
<b>GECB 2630 S</b>	3,0	26	110		0,060	●	<b>145,50</b>
<b>GECB 3230 S</b>	3,0	32	150		0,090	●	<b>163,50</b>
<b>GECB 2640 S</b>	4,0	26	110		0,100	●	<b>145,50</b>
<b>GECB 3240 S</b>	4,0	32	150		0,100	●	<b>163,50</b>



## GECB COOL

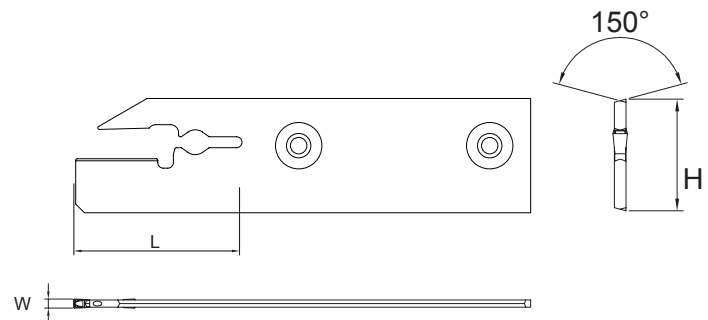
	↔ (mm)									
	W	H	L	VT40SL	GESL	BT15	KG	STOCK	€	
<b>GECB 2620 S COOL</b>	2,0	26	110				0,050	●	<b>279,-</b>	
<b>GECB 2630 S COOL</b>	3,0	26	110				0,060	●	<b>279,-</b>	
<b>GECB 3230 S COOL</b>	3,0	32	150				0,090	●	<b>303,50</b>	
<b>GECB 2640 S COOL</b>	4,0	26	110				0,100	●	<b>279,-</b>	
<b>GECB 3240 S COOL</b>	4,0	32	150				0,100	●	<b>303,50</b>	

## BASE SUPPORTO LAMA \_ GRUNDHALTER \_ TOOL HOLDER



GEBHM	↔ (mm)			Scanalatura consigliata Empfohlene Stechbreite			KG	STOCK	€
	H	B	L						
GEBHM1010N	10	10	100	2	VT50 BHM	3.00mm	0,080	●	148,-
GEBHM1212N	12	12	100	2			0,110	●	153,-
GEBHM1616N	16	16	100	2 / 3			0,200	●	158,-
GEBHM2020N	20	20	100	2 / 3 / 4			0,300	●	169,-
GEBHM2525N	25	25	100	2 / 3 / 4			0,400	●	199,-

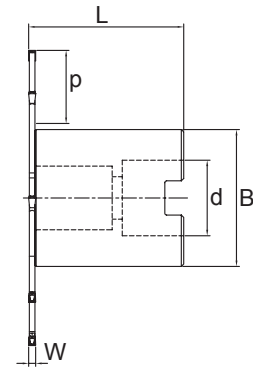
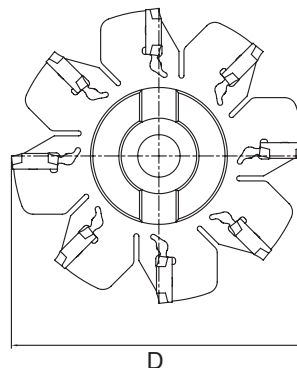
## LAMA \_ STECHSCHWERTER \_ BLADE



GECBM	W	↔ (mm)			KG	STOCK	€
		L					
GECBM2N	2,0	20		GELCG..192002...	0,030	●	95,50
GECBM3N	3,0	25		GELCG..193002...	0,040	●	95,50
GECBM4N	4,0	30		GELCG..234002...	0,050	●	95,50



# FRESE PER SCANALATURE E TAGLIO \_ SCHEIBENFRÄSER \_ GROOVING AND CUT OFF MILLS



GEDM	Ø D	L	← (mm)		Ø B	d	Z		KG		STOCK	€
			W	p								
<b>GEDM 08020 Z4 ST *</b>	80	39,9	2,0	25	29	M16	4	<b>GELCG..192002</b>	0,250	--	●	<b>1197,-</b>
<b>GEDM 10020 Z6 SA</b>	100	51,9	2,0	28	40	22	6		0,700	--	●	<b>1381,-</b>
<b>GEDM 12520 Z8 SA</b>	125	51,9	2,0	36	48	27	8		1,250	--	●	<b>1491,50</b>
<b>GEDM 16020 Z10 SA</b>	160	64,9	2,0	39	80	40	10	2,500	--	●	<b>1771,-</b>	
<b>GEDM 08030 Z4 ST *</b>	80	40,7	3,0	25	29	M16	4	0,250	--	●	<b>1222,-</b>	
<b>GEDM 10030 Z6 SA</b>	100	52,7	3,0	28	40	22	6	<b>GELCG..193002</b>	0,700	--	●	<b>1404,-</b>
<b>GEDM 12530 Z8 SA</b>	125	52,7	3,0	36	48	27	8		1,300	--	●	<b>1526,50</b>
<b>GEDM 16030 Z10 SA</b>	160	65,7	3,0	39	80	40	10		2,550	--	●	<b>1802,-</b>
<b>GEDM 12540 Z6 SA</b>	125	53,5	4,0	37,5	48	27	6	1,350	--	●	<b>1465,50</b>	
<b>GEDM 16040 Z8 SA</b>	160	66,5	4,0	39	80	40	8	<b>GELCG..234002</b>	2,650	--	●	<b>1665,-</b>

\* Gambo filettato \_ Schaftausführung Gewinde \_ Threaded shank

## INSERTI \_ WECHSELPLATTEN \_ INSERTS

Inserto unico per tutto il programma \_ Ein Wendplatte fuer gesamtes Programm \_ One insert for whole programme

CODICE ORDINE Bestell-Nr. Order No.	FIGURA Form Figure	← (mm)		TAGLIENTI Schneide Cutting edge	DENOMINAZIONE Bezeichnung Designation	NON RIVESTITI Unbeschichte Uncoated			RIVESTITI Beschichtet Coated				CERMET		
		W	r			K15	P25	P40	P200	P300	K300	K400	TIN PVD	TIALN PVD	X99
		2,0	0,2	1	GELCGS 192002	●				●	●				
		3,0	0,2	1	GELCGS 193002	●				●	●				
		4,0	0,2	1	GELCGS 234002	●				●	●				
		2,0	0,2	2	GELCGD 192002	●				●	●				
		3,0	0,2	2	GELCGD 193002	●				●	●				
		4,0	0,2	2	GELCGD 234002	●				●	●				

## GE KEY

Chiave \_ Schlüssel \_ Spanner

€



Chiave non inclusa. Da ordinare separatamente.  
Schlüssel nicht eingeschlossen. Separat bestellen.  
Key not included. To be ordered separately.

18,30